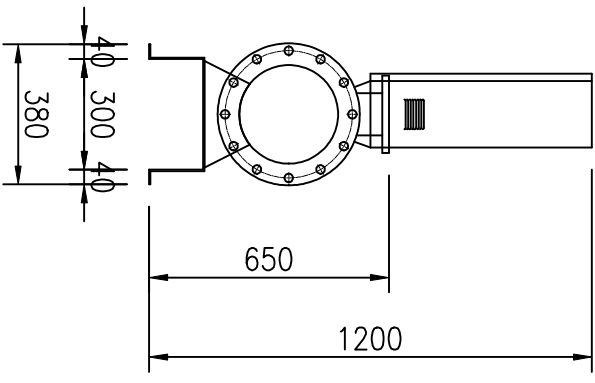
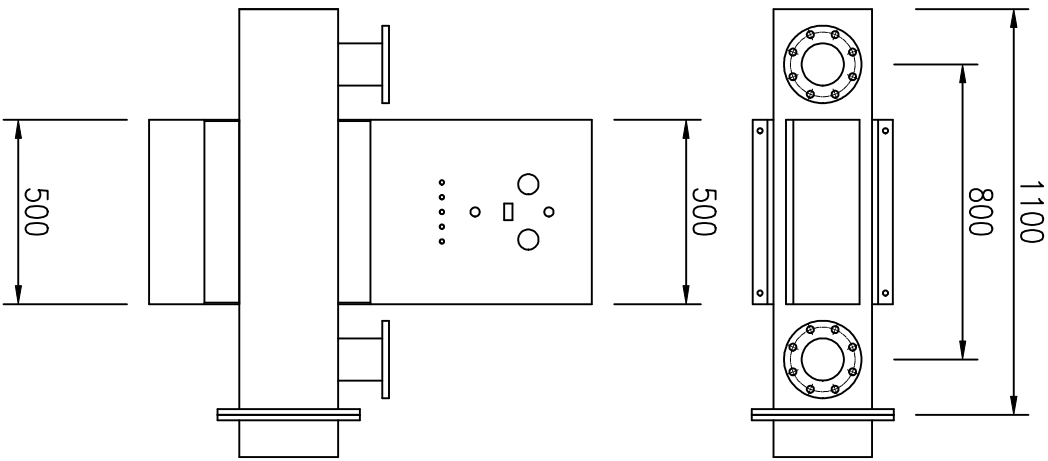


NO.	DESCRIPTION	MATERIAL	QTY	REMARKS
1	CHAMBER	STS304	1	250A * 1100mm
2	COVER	STS304	1	250A * 93mm
3	IN/OUT	STS304	2	100A
4	SAMPLE PORT	STS304	1	1/2" BALL V/V
5	DRAIN V/V	STS304	1	1/2" BALL V/V
6	PANEL	STS304	1	500*600*200



NO.	DESCRIPTIONS	SIZE	MTL	QTY	REMARKS
PROJECT	UV Disinfectior				DATE 2014. 01.
TITLE	HS-500				SCALE 1/20
DRAWN	DESIGNED	CHECKED	APPROVED		REF DRAWING



환성지엔선(주)

SHEET NO. 00
DRAWING NO. HU-0000-000-00