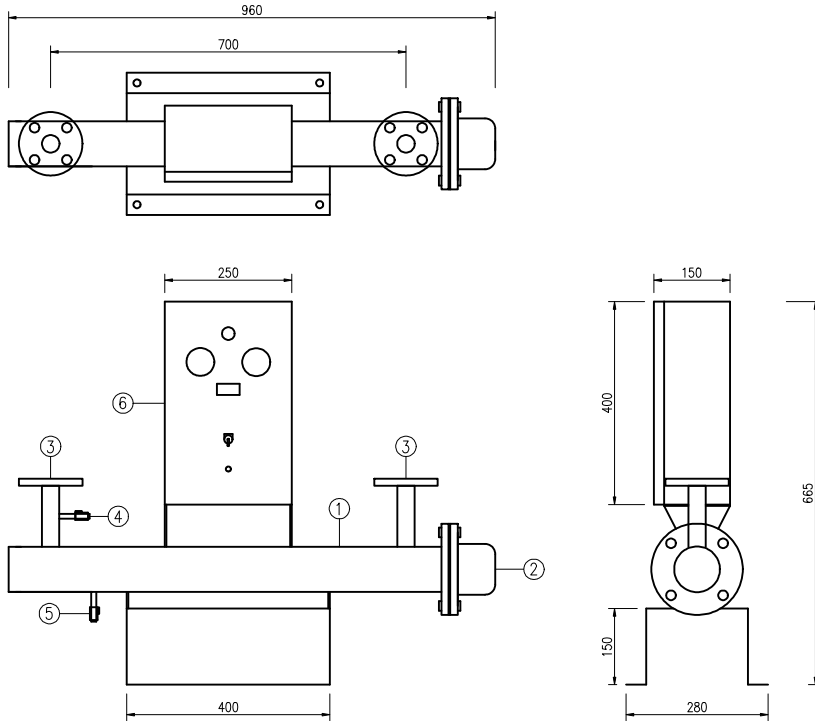


ON 2014

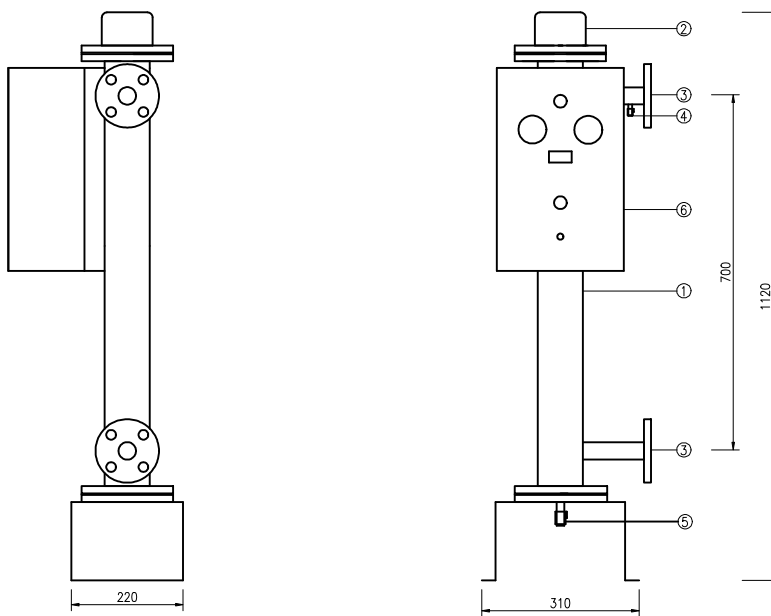
NO.	DESCRIPTION	MATERIAL	Q.TY	REMARKS
1	CHAMBER	STS304	1	80A * 860mm
2	COVER	STS304	1	100mm * 74mm
3	IN/OUT	STS304	2	25A
4	SAMPLE PORT	STS304	1	1/4" BALL V/V
5	DRAIN V/V	STS304	1	1/4" BALL V/V
6	PANEL	STS304	1	400*250*150



NO	DESCRIPTIONS	SIZE	M/L	Q/TY	REMARKS
PROJECT	자외선유수살균기			DATE	2014. 01.
TITLE	HS-25			SCALE	1/10
DRAWN	DESIGNED	CHECKED	APPROVED	REF DRAWING	
한성자외선(주)				SHEET NO.	DRAWING NO.
				00	00
					HU-0000-000-00

ON 2014

NO.	DESCRIPTION	MATERIAL	Q.TY	REMARKS
1	CHAMBER	STS304	1	80A * 860mm
2	COVER	STS304	1	100mm * 72mm
3	IN/OUT	STS304	2	25A
4	SAMPLE PORT	STS304	1	1/4" BALL V/V
5	DRAIN V/V	STS304	1	1/4" BALL V/V
6	PANEL	STS304	1	400*250*200



NO	DESCRIPTIONS	SIZE	M/L	Q/TY	REMARKS
PROJECT	자외선유수살균기			DATE	2014. 01.
TITLE	HS-25			SCALE	1/10
DRAWN	DESIGNED	CHECKED	APPROVED	REF DRAWING	
한성자외선(주)				SHEET NO.	DRAWING NO.
				00	00
					HU-0000-000-00