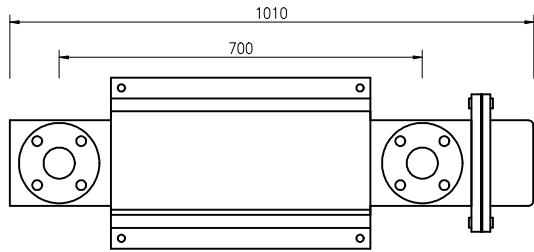
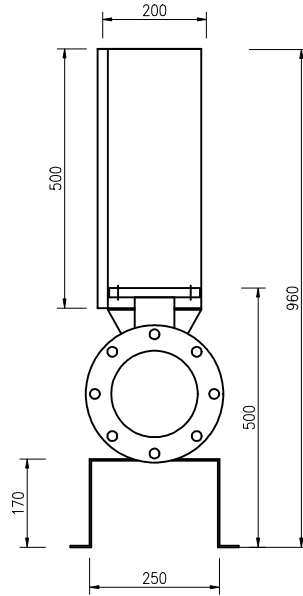
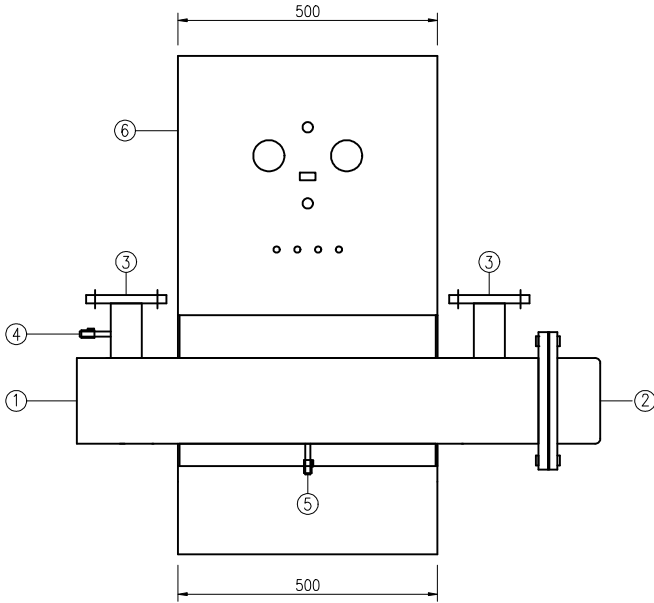


10N \* 20MM

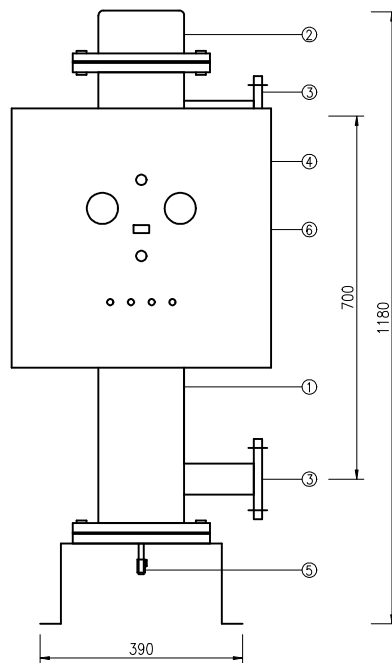
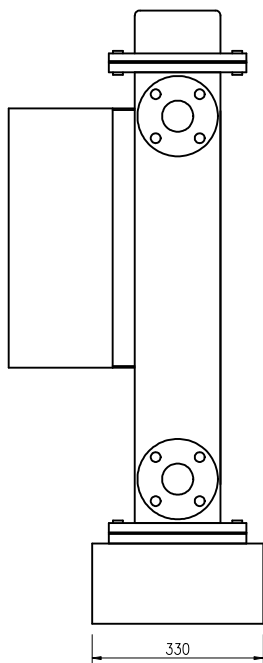


NO.	DESCRIPTION	MATERIAL	Q.TY	REMARKS
1	CHAMBER	STS304	1	150A * 900mm
2	COVER	STS304	1	150A * 83mm
3	IN/OUT	STS304	2	50A
4	SAMPLE PORT	STS304	1	1/4" BALL V/V
5	DRAIN V/V	STS304	1	1/4" BALL V/V
6	PANEL	STS304	1	500*500*200



NO	DESCRIPTIONS	SIZE	MTL	QTY	REMARKS
PROJECT		자외선유수살균기		DATE	2014. 01.
TITLE		HS-200		SCALE	1/10
DRAWN	DESIGNED	CHECKED	APPROVED	REF DRAWING	
한성자외선(주)				SHEET NO.	DRAWING NO.
				00	00
				HU-0000-000-00	

10N \* 20MM



NO.	DESCRIPTION	MATERIAL	Q.TY	REMARKS
1	CHAMBER	STS304	1	150A * 900mm
2	COVER	STS304	1	150A * 83mm
3	IN/OUT	STS304	2	50A
4	SAMPLE PORT	STS304	1	1/4" BALL V/V
5	DRAIN V/V	STS304	1	1/4" BALL V/V
6	PANEL	STS304	1	500*500*200

NO	DESCRIPTIONS	SIZE	MTL	QTY	REMARKS
PROJECT		자외선유수살균기		DATE	2014. 01.
TITLE		HS-200		SCALE	1/10
DRAWN	DESIGNED	CHECKED	APPROVED	REF DRAWING	
한성자외선(주)				SHEET NO.	DRAWING NO.
				00	00
				HU-0000-000-00	