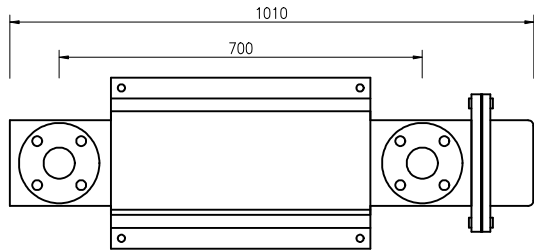
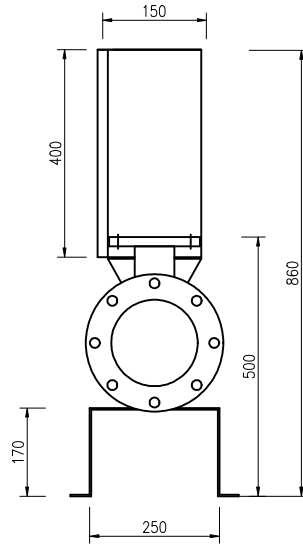
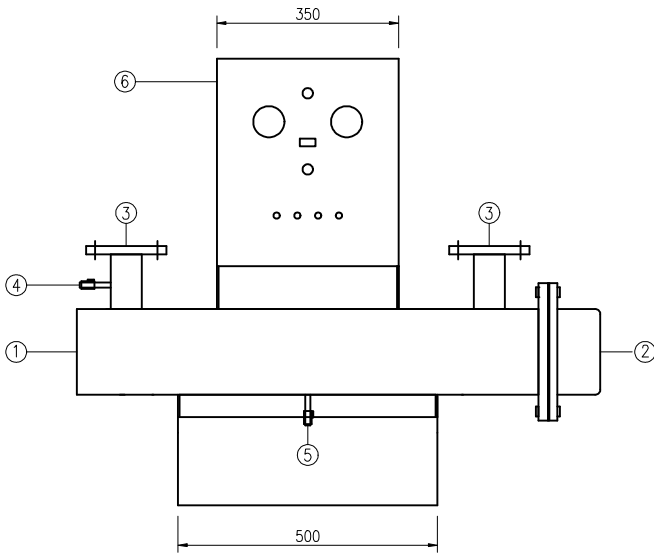


10N * 3MM

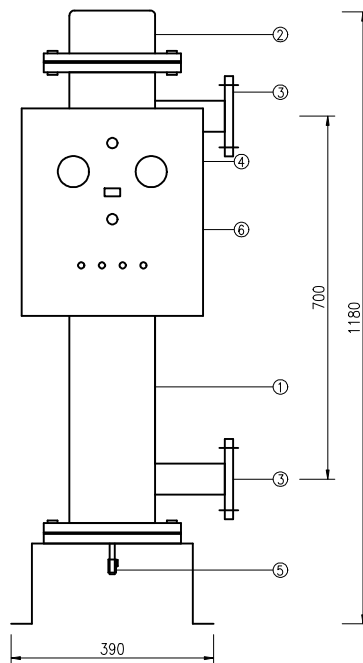
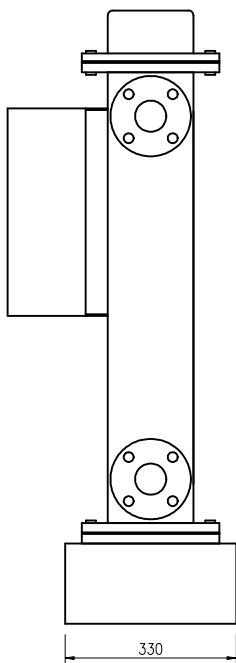


| NO. | DESCRIPTION | MATERIAL | Q.TY | REMARKS |
|-----|-------------|----------|------|---------------|
| 1 | CHAMBER | STS304 | 1 | 150A * 900mm |
| 2 | COVER | STS304 | 1 | 150A * 83mm |
| 3 | IN/OUT | STS304 | 2 | 50A |
| 4 | SAMPLE PORT | STS304 | 1 | 1/4" BALL V/V |
| 5 | DRAIN V/V | STS304 | 1 | 1/4" BALL V/V |
| 6 | PANEL | STS304 | 1 | 350*400*150 |



| NO | DESCRIPTIONS | SIZE | MTL | Q'TY | REMARKS |
|----------|--------------|----------|----------|----------------|-------------|
| PROJECT | | 자외선유수살균기 | | DATE | 2014. 01. |
| TITLE | | HS-100 | | SCALE | 1/10 |
| DRAWN | DESIGNED | CHECKED | APPROVED | REF DRAWING | |
| 한성자외선(주) | | | | SHEET NO. | DRAWING NO. |
| | | | | 00 | 00 |
| | | | | HU-0000-000-00 | |

10N * 3MM



| NO. | DESCRIPTION | MATERIAL | Q.TY | REMARKS |
|-----|-------------|----------|------|---------------|
| 1 | CHAMBER | STS304 | 1 | 150A * 900mm |
| 2 | COVER | STS304 | 1 | 150A * 83mm |
| 3 | IN/OUT | STS304 | 2 | 50A |
| 4 | SAMPLE PORT | STS304 | 1 | 1/4" BALL V/V |
| 5 | DRAIN V/V | STS304 | 1 | 1/4" BALL V/V |
| 6 | PANEL | STS304 | 1 | 350*400*150 |

| NO | DESCRIPTIONS | SIZE | MTL | Q'TY | REMARKS |
|----------|--------------|----------|----------|----------------|-------------|
| PROJECT | | 자외선유수살균기 | | DATE | 2014. 01. |
| TITLE | | HS-100 | | SCALE | 1/10 |
| DRAWN | DESIGNED | CHECKED | APPROVED | REF DRAWING | |
| 한성자외선(주) | | | | SHEET NO. | DRAWING NO. |
| | | | | 00 | 00 |
| | | | | HU-0000-000-00 | |